

Smart Slide Patio

360° Compression Seal
Easy Glide Movement
Air & Water Tight
Total Security

SMART SLIDE
MODERN HOME DESIGN



Smart Slide Operation

- The patio door moves out from the rubber seal. This allows an easy glide movement. A Rubber seal surrounds the smart slide patio a full 360°.
- Once the handles are rotated, the sash moves out from the frame and the sash runs free from all seals.
- Multiple locking points on both the verticals, also including above and below the sliding patio, mean excellent security.
- When closing the door it squeezes into the rubber seal. This gives a full airtight seal.
- Rotating the handle moves the patio into or out from the rubber seal.
- The Smart Slide Patio design allows the door sash to run freely.
- Patio door can be locked in place at any point.
- Rubber seal surrounds the patio 360°.

AIR TIGHT



360° COMPRESSION SEAL





4 Part Smart Slide Patio, Creates a Wide Opening



Option With Finger Grip Outside



4 Part Smart Slide Patio, Sliding Doors meet in the Middle



Finger Grip Outside, Lockable Handle is on the Inside



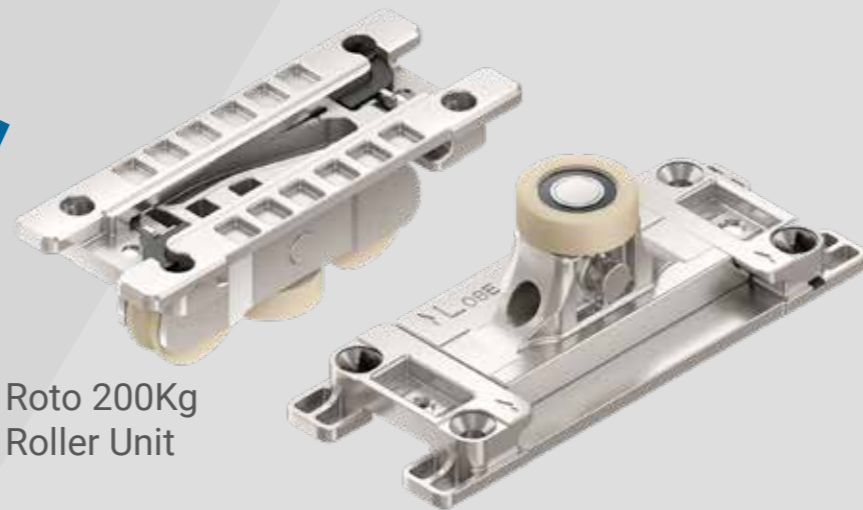
Colour is Anthracite Grey, Lockable Handle on the Inside

Security & Strength

- These patios include up to 14 locking points around the patio, top and bottom including both verticals.
- Roto centre closers lock the door on the central vertical
- The roller units from Roto can carry up to 200 kg.

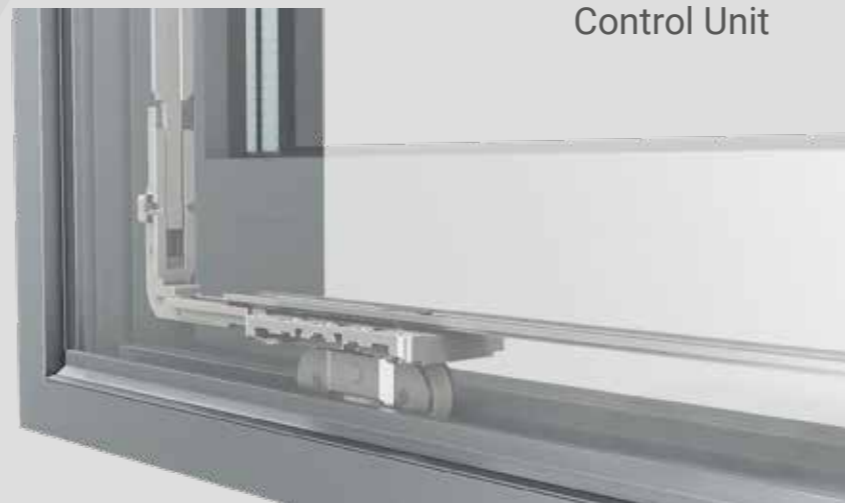
The smart slide patio is specifically designed to give excellent weather sealing. Weather sealing is measured in terms of air permeability, wind & water resistance. The sliding patio compresses into a rubber seal when the handle is rotated. This action gives a full weather seal. The rubber seal is fixed to the main frame. The seal surrounds the full circumference of the door 360°.

SECURITY

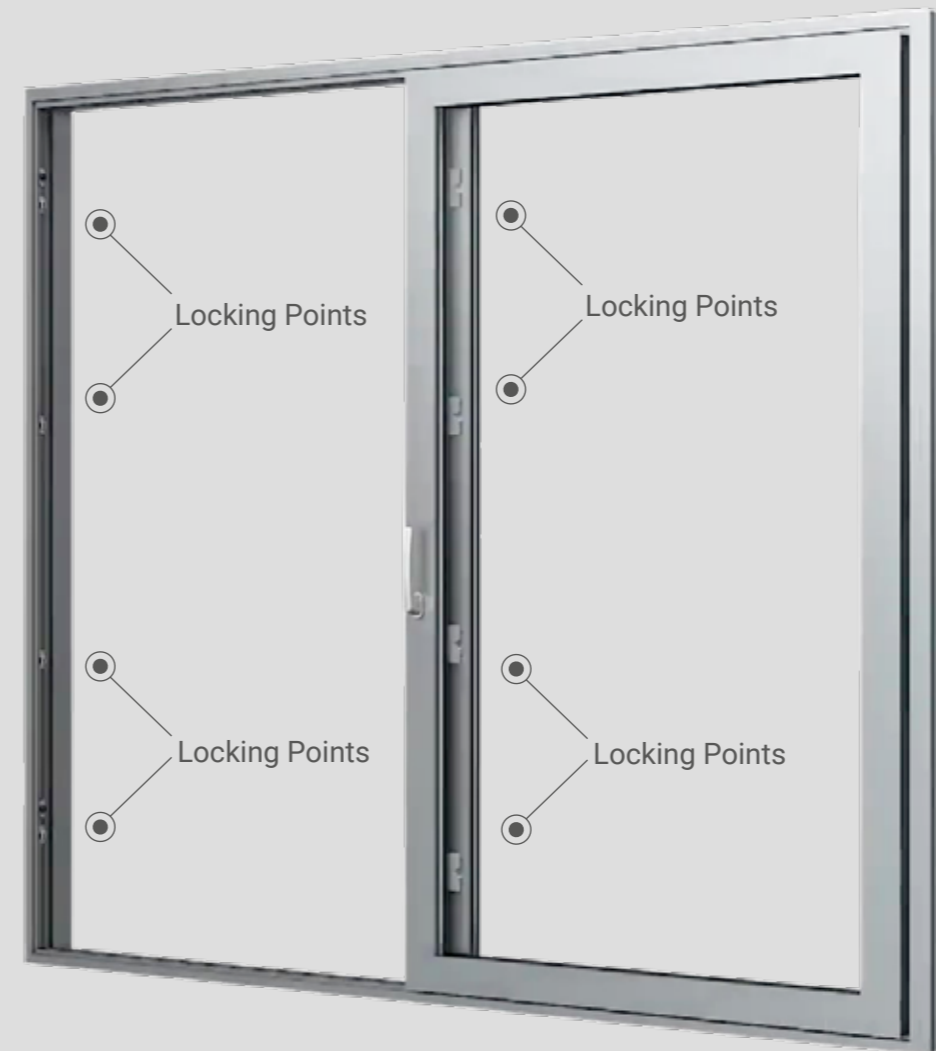


Roto 200Kg
Roller Unit

Roto 200Kg
Control Unit



Hardware Wraps the Sash with Rollers



Locking Points

Locking Points

Locking Points

Locking Points



Roto 200
Security
Stricker

Roto 200
Centre Closer

Roto 200
Soft-close

MULTIPLE LOCKING POINTS

Handles and Colours

Door handle colours are White, Black and Silver.
Exterior colour options include 14 woodgrain colours and white. Standard interior colour options are white and light cream.

Handle Configurations

There are 2 handle configurations.

Option 1 sees a lockable (or non-lockable) handle on the inside with a finger grip on the outside. With this method the patio will have a full opening.

Option 2 sees a handle and lock on both the inside and the outside. With this configuration the customer can lock the door from both the inside and outside. This option means that the patio opening will be a little less than option 1 because the patio can not fully slide back flush to the frame.

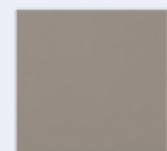
HANDLES



Option 1 - Lockable Handle Inside with a Finger Grip Outside

Option 2 - Lock & Handle both Inside and Outside

Woodgrain Colours



Balmoral



Anthracite Grey



Silver Grey



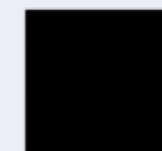
Agate Grey



Steel Blue



Basaltr Grey



Black



Light Cream



Chartwell Green



Golden Oak



Rosewood



Balmoral



Dark Green



Red



Image Colour May Vary Slightly to End Product - white also available -
White not Woodgrain

Max Patio Sizes

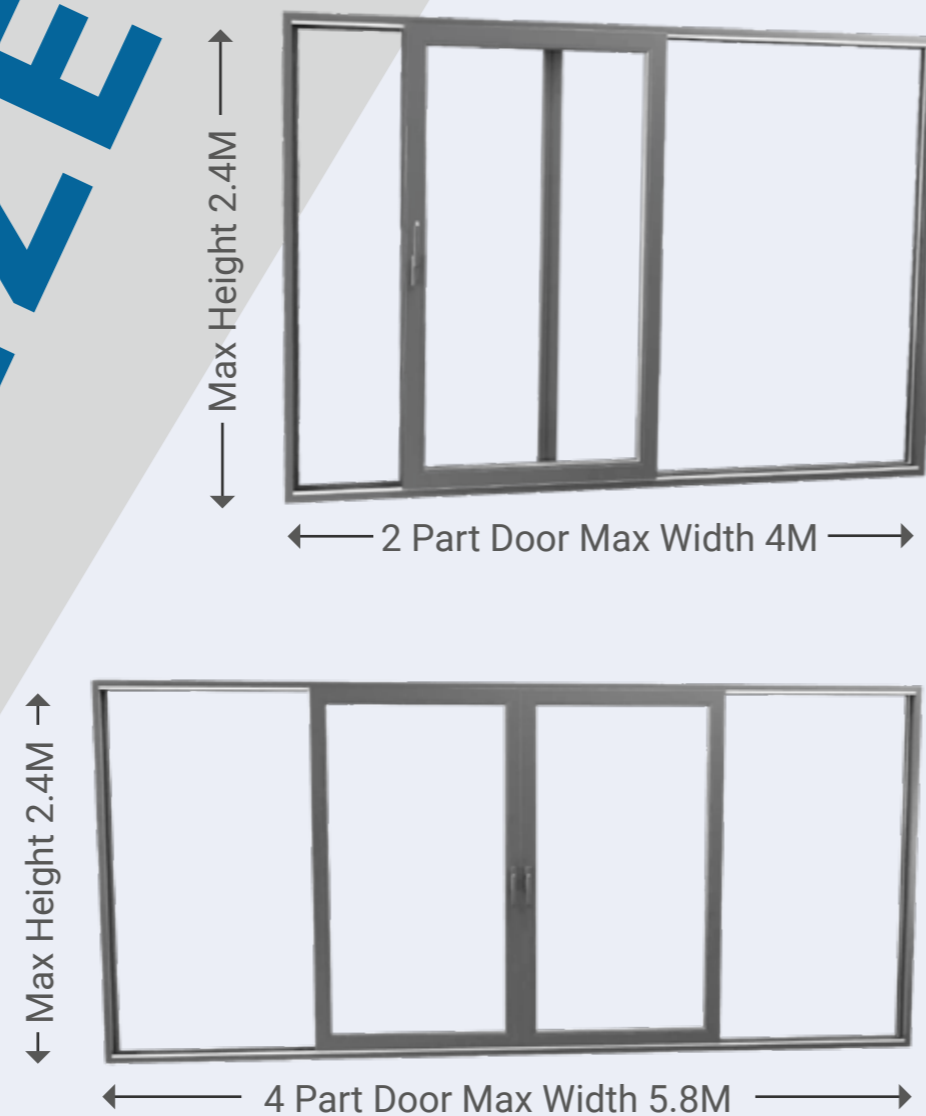
2 Part Door - Max overall size
4 meters wide x 2.4 meters high

4 part door - Max overall size
5.8 meters wide x 2.4 meters tall

Smart Slide Technical details

- 2 part door max overall size 4 meters wide x 2.4 meters high
(Max door sash size 2 meters wide x 2.3 meters high)
- 4 part door max overall size 5.8 meters wide x 2.4 meters tall
(Max door sash size 1.45 meters wide x 2.3 meters high)
- 140 mm construction depth and 70 mm sash depth
- Triple glazing with a Ug- Value of up to 0.6 W/m²K
- Glazing unit thickness ranging from 28mm to 40mm
- Steel reinforcement in the profile

DOOR SIZES



4 Part Smart Slide Patio, finger grip outside with lockable handle inside

Contact Us

Kilfergus,
Glin,
Co. Limerick,

068 34800

www.costellowindows.ie

info@costellowindows.ie

www.costellowindows.ie

